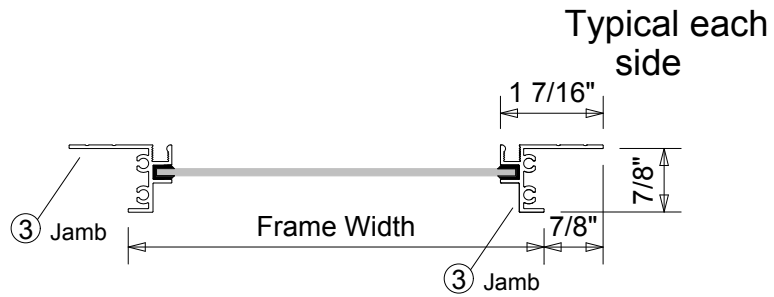
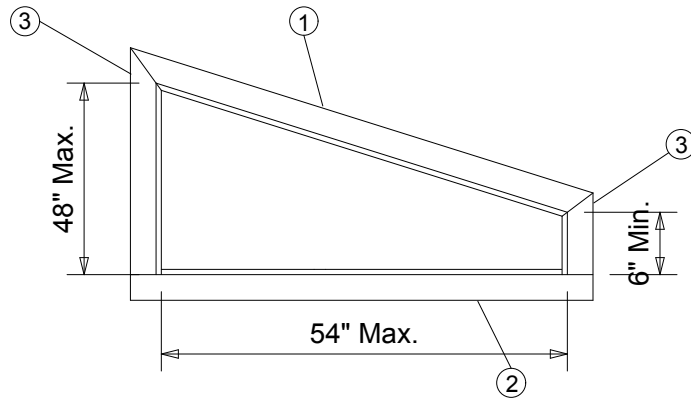
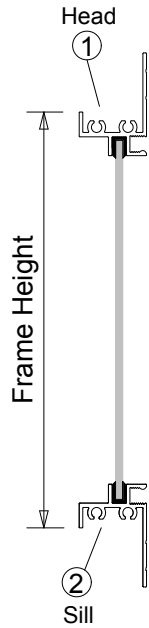


REVISIONS				
ZONE	REV	DESCRIPTION	DATE	APPROVED



DRAWN CW	DATE 3-10-15	 Div. of Bavaro Ltd.		
	CHECKED			
	QA	SIZE <b>A</b>	FSCM NO.	DWG NO. <b>225G</b>
MFG	APPROVED	SCALE NTS	SHEET	