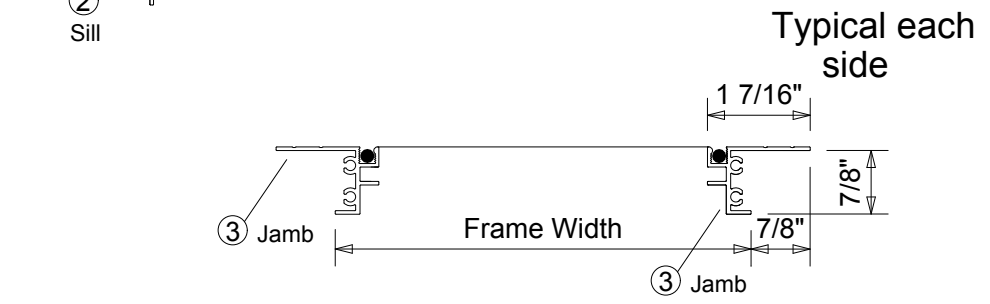
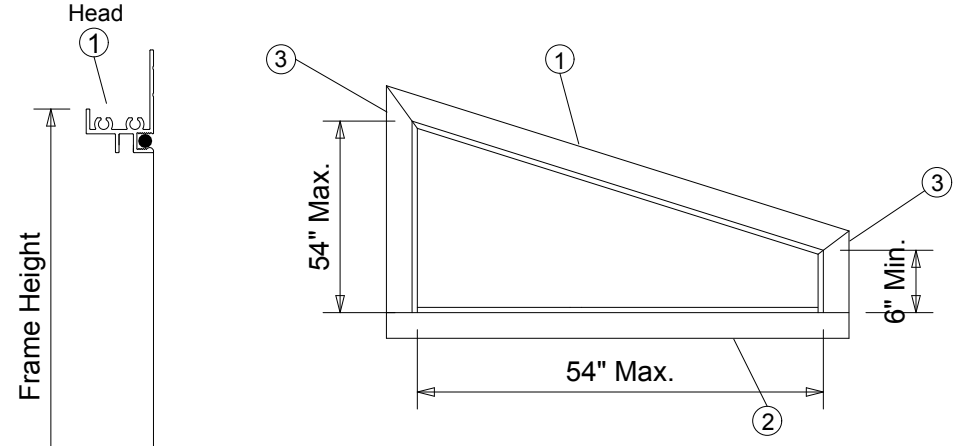


REVISIONS				
ZONE	REV	DESCRIPTION	DATE	APPROVED



DRAWN CW	DATE 3-10-15	 Div. of Bavaro Ltd. Model 225S Screen Lipframe Aluminum Fixed Window		
	CHECKED			
	QA			
MFG	SIZE A	FSCM NO.	DWG NO. 225S	REV
APPROVED	SCALE NTS	SHEET		