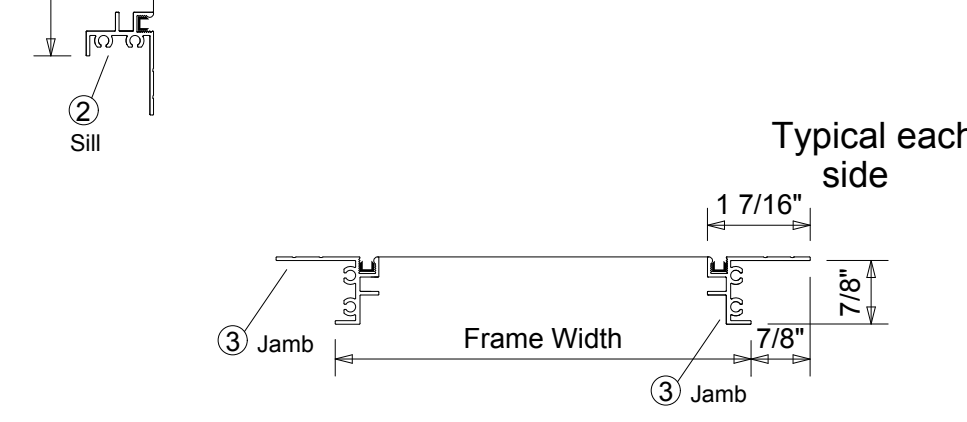
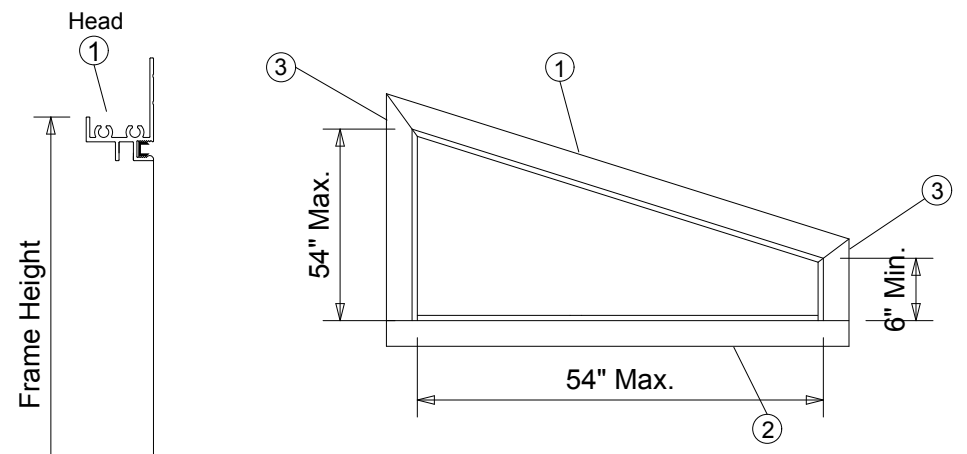



REVISIONS				
ZONE	REV	DESCRIPTION	DATE	APPROVED



DRAWN CW	DATE 3-10-15	 Div. of Bavaro Ltd.			
	CHECKED				Model 225V Vinyl Lipframe Aluminum Fixed Window
QA		SIZE A	FSCM NO.	DWG NO. 225V	REV
MFG		SCALE NTS		SHEET	
APPROVED					